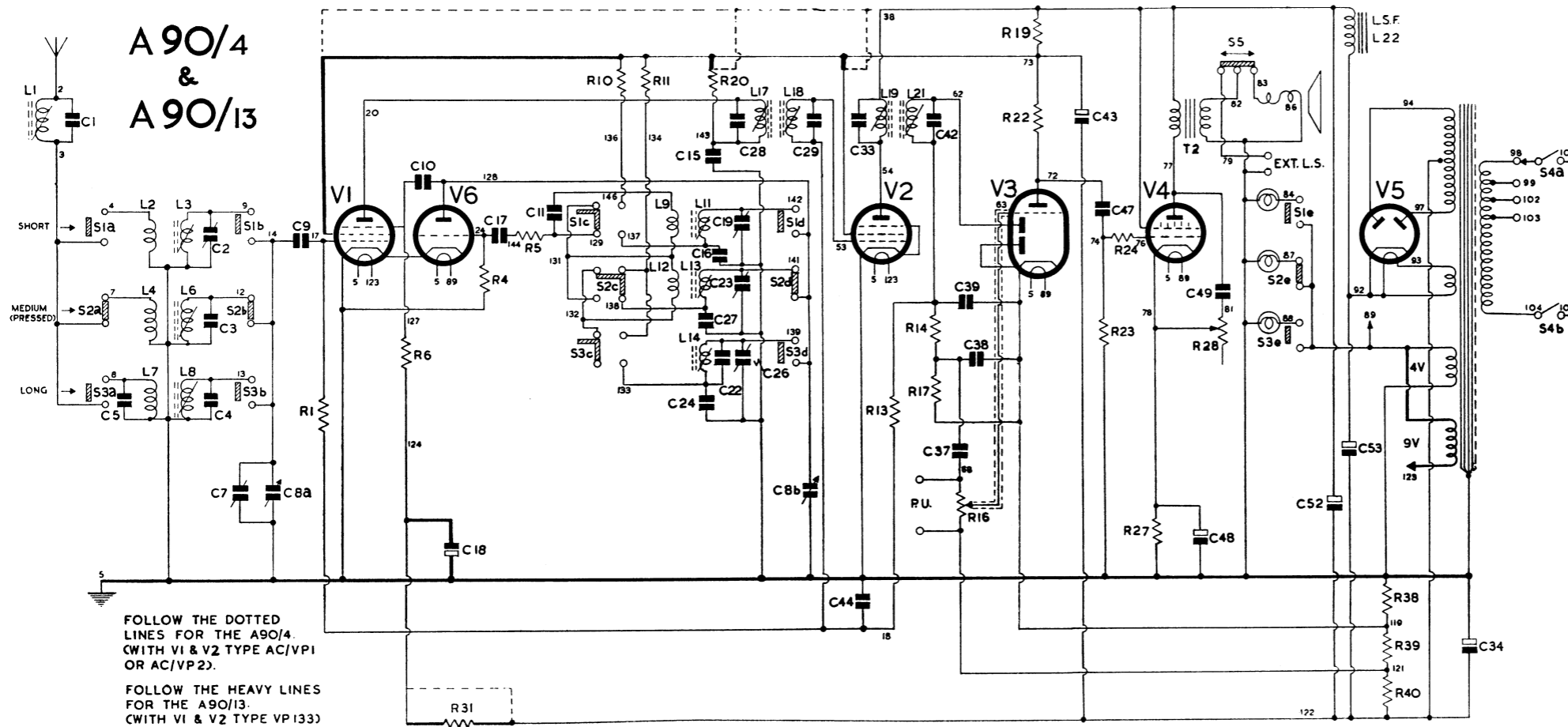


THE MODIFIED A90 RECEIVER



THE two modified circuits shown in this diagram are introduced to overcome component shortages.

The condenser values given in the table are the minima permissible for the circuits, but it may be found in some cases that larger condensers are fitted, depending on the available supplies. It is also possible that combinations of resistances, connected in series or parallel, may be used to obtain approximately the values quoted in the table.

In the A90/4 the common 4-volt heater winding is used for all the receiver valves, but in the A90/13, where 13-volt type H.F. pentodes are used, an extra 9-volt winding is connected in series with the existing 4-volt winding on the mains transformer to give the required 13 volts heater supply for these valves.

It will also be found that the A90/4's are wired either for the AC/VP1 or the AC/VP2, and it should be noted that although these valves have similar characteristics, the top cap on the AC/VP1 is connected to the anode, whereas on the AC/VP2 it is connected to the control grid. The two types are therefore not interchangeable unless the wiring to the anode and grid sockets of the valve-holder is also changed over.

Code	Value	Code	Value	Code	Value	Code	Value	Code	Value
C1	500 p.f.	C28	139 p.f.	R1	1MΩ	L1	2.5	T1 Pri.	17
C2	Trimmer.	C29	150 p.f.	R4	22,000	L2	*	200-205	18
C3	10 p.f.	C33	139 p.f.	R5	50	L3	*	210-220	20
C4	85 p.f.	C34	50 12v.	R6	†	L4	*	230-240	22
C5	500 p.f.	C38	100 p.f.	R10	2,200	L6	2.25	250	215
C7	Trimmer.	C39	100 p.f.	R11	30,000	L7	25	HT Sec.	290
C8a	Var.	C42	150 p.f.	R13	2.2MΩ	L8	15	*	400
C8b	Var.	C43	8	R14	100,000	L9	*	T2 Pri.	*
C9	500 p.f.	C47	.005	R17	470,000	L11	*	Sec.	2
C10	200 p.f.	C48	50 12v.	R19	4,700	L12	*	T3 Pri.	400
C11	85 p.f.	C49	.04	R20	150,000	L13	1.25	Sec.	
C15	.002	C52	8	R22	47,000	L14	*		
C16	.025	C53	16	R23	1MΩ	L16	1.7		
C19	Trimmer.			R24	47,000	L17	5.5		
C22	260 p.f.			R27	200 ½W	L18	5.5		
C23	Trimmer.			R28	50,000	L19	5.5		
C24	414 p.f.			R38	47	L21	5.5		
C26	Trimmer.			R39	27	L22	2300		
C27	700 p.f.			R40	150				

A90/4	VALVES	A90/13
V1	AC/VP1 or AC/VP2	V1 VP133
V2	AC/VP1 or AC/VP2	V2 VP133
V3	HL41DD	V3 HL41DD
V4	PEN45	V4 PEN45
V5	UU6	V5 UU6
V6	AC/HL	V6 AC/HL

MURPHY RADIO SUPPLEMENTARY SERVICE INSTRUCTIONS

ISSUED BY MURPHY RADIO LTD., WELWYN GARDEN CITY, HERTS.

TELEPHONE: WELWYN GARDEN 800